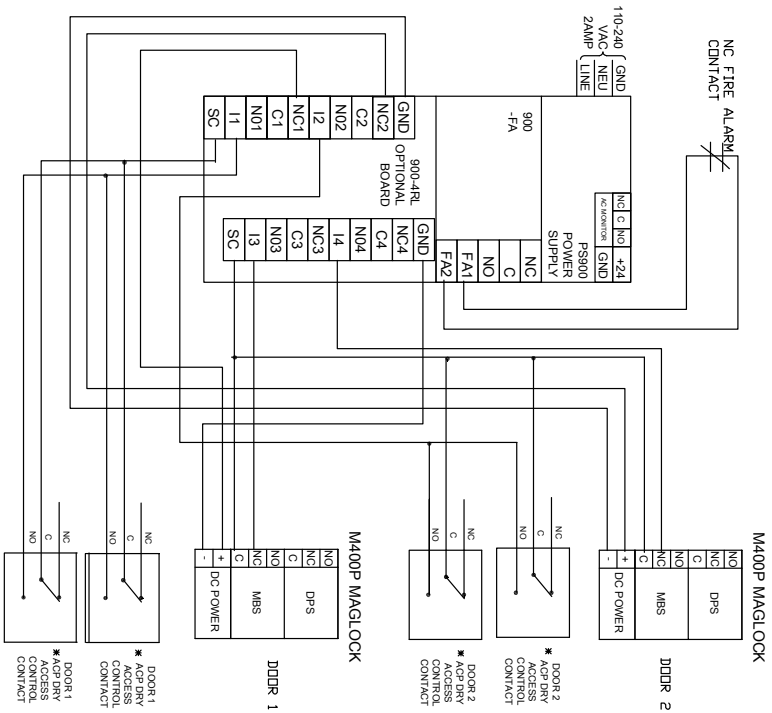


THIS DIAGRAM REPRESENTS A GENERIC CONFIGURATION. CUSTOM WIRING DIAGRAMS CAN BE ACQUIRED BY CONTACTING TECHNICAL SUPPORT.



NOTES:
 SET SW2 SWITCHES 1 ON AND 2 OFF TO CONFIG 900-4RL AS SET SW1 SWITCHES AS REQUIRED FOR PARTICULAR INSTALLATION.

* ADDITIONAL CONDUCTORS MAY BE REQUIRED. CONSULT MANUFACTURERS INSTALLATION INSTRUCTIONS FOR FURTHER DETAILS.
 CONFIRM HARDWARE AND OPERATION ACCEPTABLE TO LOCAL AHJ.

NOTES:
 1) ALL LOW VOLTAGE WIRING TO BE STANDARD, MULTI-CONDUCTOR COLOR CODED WITHOUT SPLICES.
 2) WIRING TO CONFORM TO APPLICABLE NATIONAL, STATE AND LOCAL ELECTRICAL CODES.
 3) REFER TO SPECIFIC PRODUCT INSTALLATION INSTRUCTIONS FOR SPECIFIC WIRING REQUIREMENTS.
 4) THIS DRAWING IS FOR GRAPHICAL REPRESENTATION OF PRODUCTS DETAILED IN THE HARDWARE SET ONLY.
 5) * CONDUCTOR COUNT TO BE DETERMINED BY ACCESS CONTROL PANEL PROVIDER.

HARDWARE USED:
 2 M400P MAG LOCKS
 4 SCHLAGE OR CARD READER BY OTHERS WITH ACP
 1 PS900-4RL-FA
 FIRE ALARM CONTACT BY OTHERS
 TYPE 2 DOOR SECURITY INTERLOCK WITH ACCESS CONTROL

OPERATION:
 BOTH DOORS NORMALLY LOCKED. CARD READER TO OPEN DOOR ONLY IF OTHER DOOR IS CLOSED AND LOCKED.
 NOTE: OPPOSITE DOOR WILL REMAIN LOCKED AS LONG AS OTHER DOOR IS UNLOCKED.
 FIRE ALARM TO RELEASE BOTH M400 MAG LOCKS.
 IN THIS EXAMPLE ALL WIRING CONNECTIONS ARE MADE IN THE PS900 ENCLOSURE.
 DATE DRAWN: 3-21-13 REVISION DATE: 07-03-17

TITLE
PS900-4RL-FA SECURITY INTERLOCK WITH M400P MAG LOCKS

ALLEGION™

DRIVING TYPE: RISER DIAGRAM
 DWG NO.: 109442
 DRAWN/CHECKED BY: B DOVER/B DYE
 REV: C